




SAS500 

**Euro**phon *Acoustics*

**SAS**  
International



# Overview

SYSTEM GROUP		SUSPENSION METHOD	
		Suspended from primary grid, threaded rod or cable hangers	
Baffle			
TILE			
			
Enclosed baffle		Square edge	
ACOUSTICS			
<b>A-C</b>		None. Baffles are open systems	
Absorption class		Insulation	
ACCESS	SYSTEM WEIGHT	LIFE EXPECTANCY	
Baffles are open systems	<b>9.3</b> kg/lm + Grid	<b>25</b> yr	
Based on standard 1000x400x50mm baffle		In excess of	

# SAS500



SAS500 acoustic baffles offer a visually engaging alternative to suspended acoustic ceiling systems, ideal for exposed soffit areas. Baffles offer exceptional absorption characteristics, effectively controlling reverberation within these highly sound reflective interiors. Available in numerous colours and sizes, the baffles can be suspended at a range of heights for further visual interest.

---

#### Baffle Sizes

Standard baffle lengths are 1200mm, 1500mm and 1800mm. Baffle depths are between 100mm and 500mm. Standard width is 50mm. Bespoke baffle sizes and shapes are available on request.

Note Individual baffles are supplied assembled ready for installation on-site.

Linear baffles intended for long continuous runs are supplied loose for on-site assembly.

---

#### Finishes

SAS500 is available in all standard SAS finishes, please refer to page 105. Bespoke finishes are available on request.

---

#### Perforations

SAS500 can be manufactured with any standard SAS perforation. For our full range of perforations, please refer to page 83. Bespoke perforations are also an option.

---

#### Acoustic Materials

50mm deep, 45Kg density mineral wool pad with black tissue face. Other acoustic materials are available, please refer to page 20.

---

#### Service Integration

SAS500 baffles can be manufactured with integrated LED lighting.

---

#### Technical Support

Please contact our technical team for all questions relating to bespoke features, sizes or service integration.

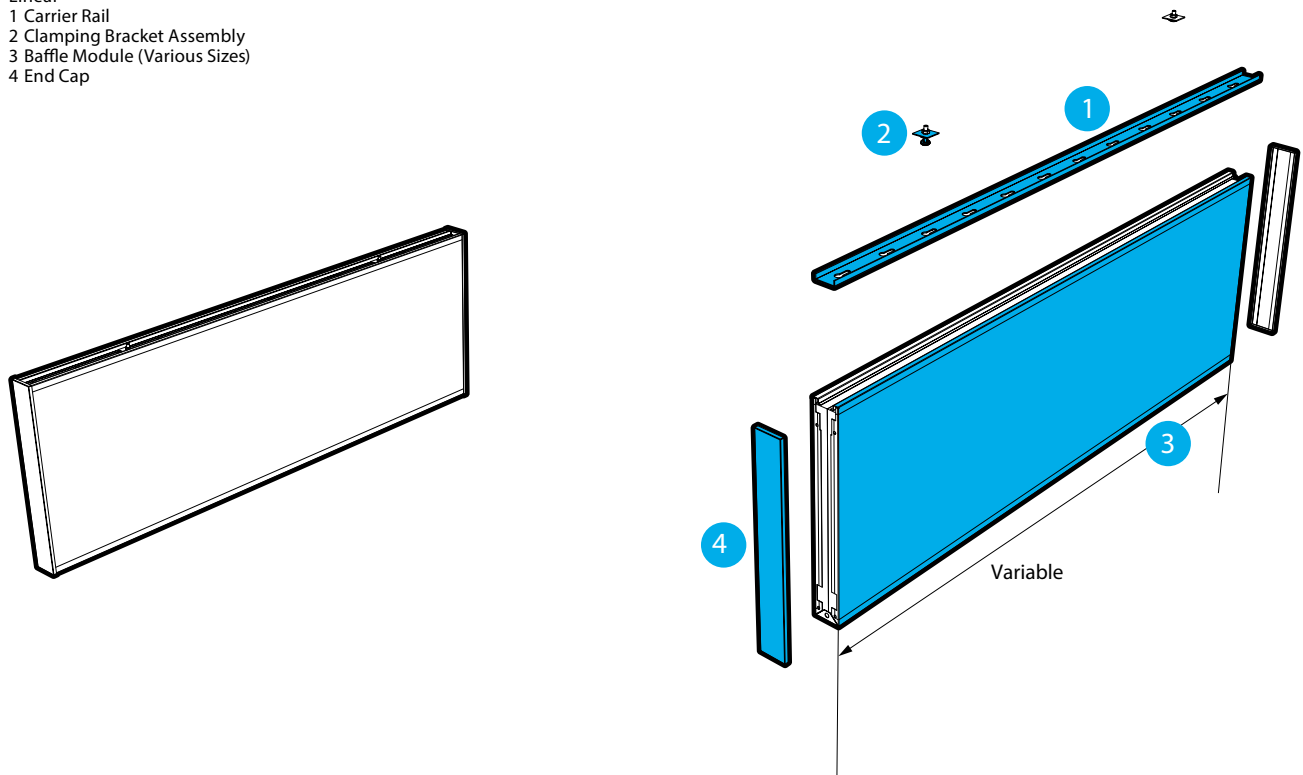
---

# SAS500 | Modular



## Perspective Drawing

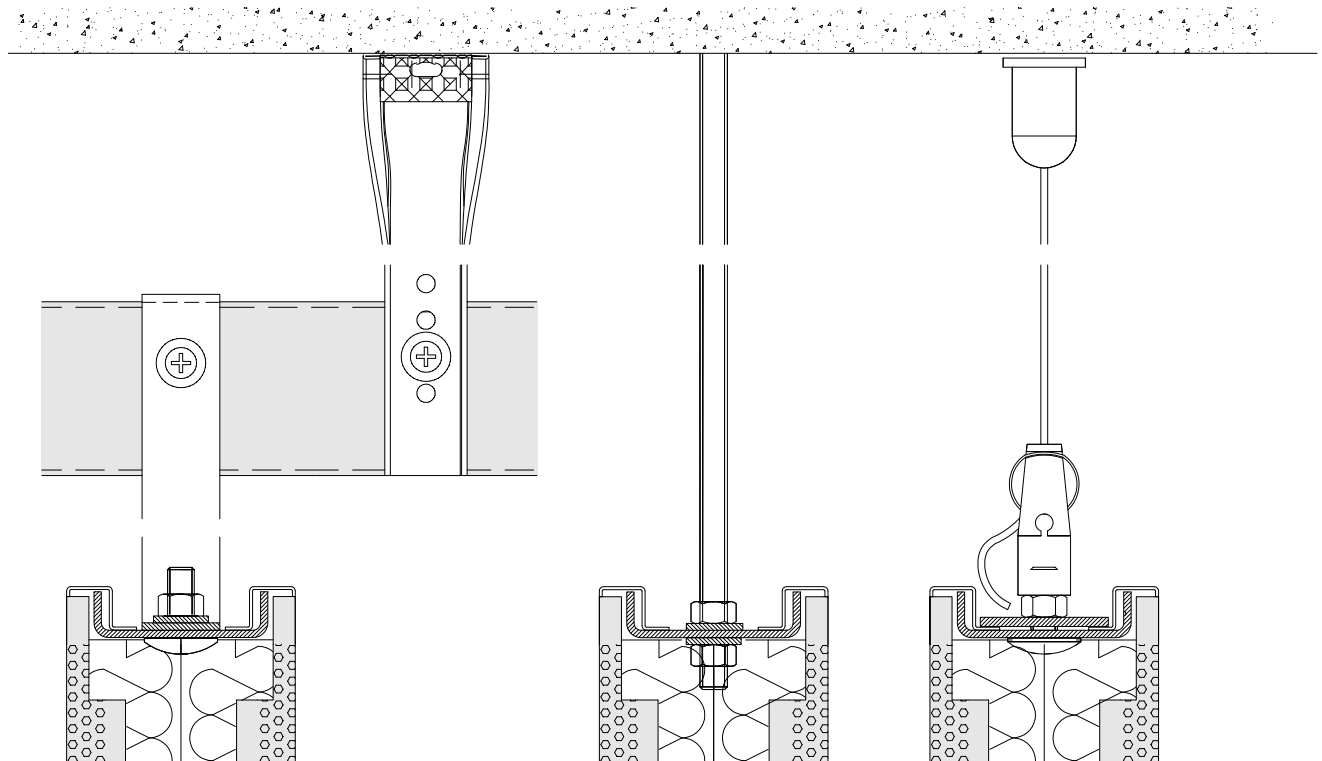
- Linear
- 1 Carrier Rail
- 2 Clamping Bracket Assembly
- 3 Baffle Module (Various Sizes)
- 4 End Cap



## Grid Hanging

## Threaded Rod Hanger

## Cable Hanging



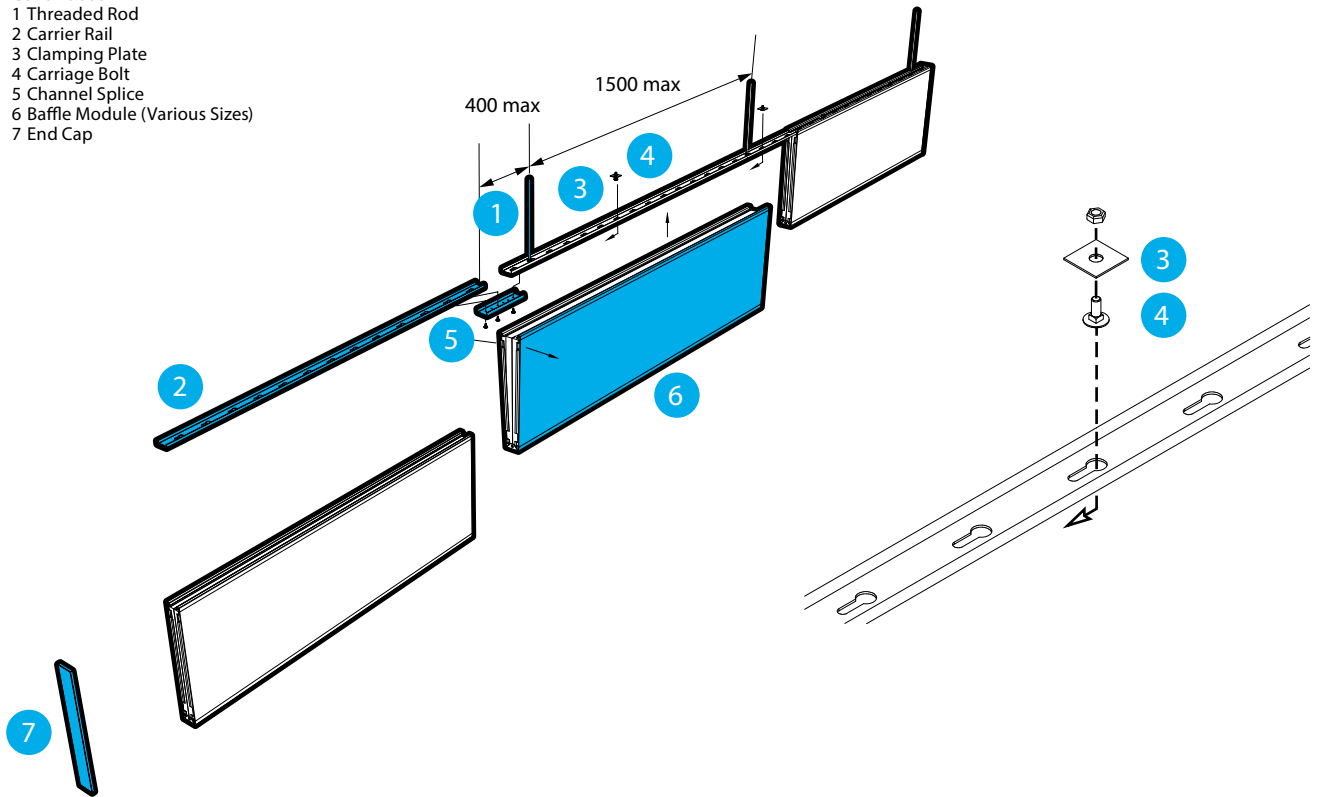
All dimensions are in mm.

# SAS500 | Continuous



## Perspective Drawing

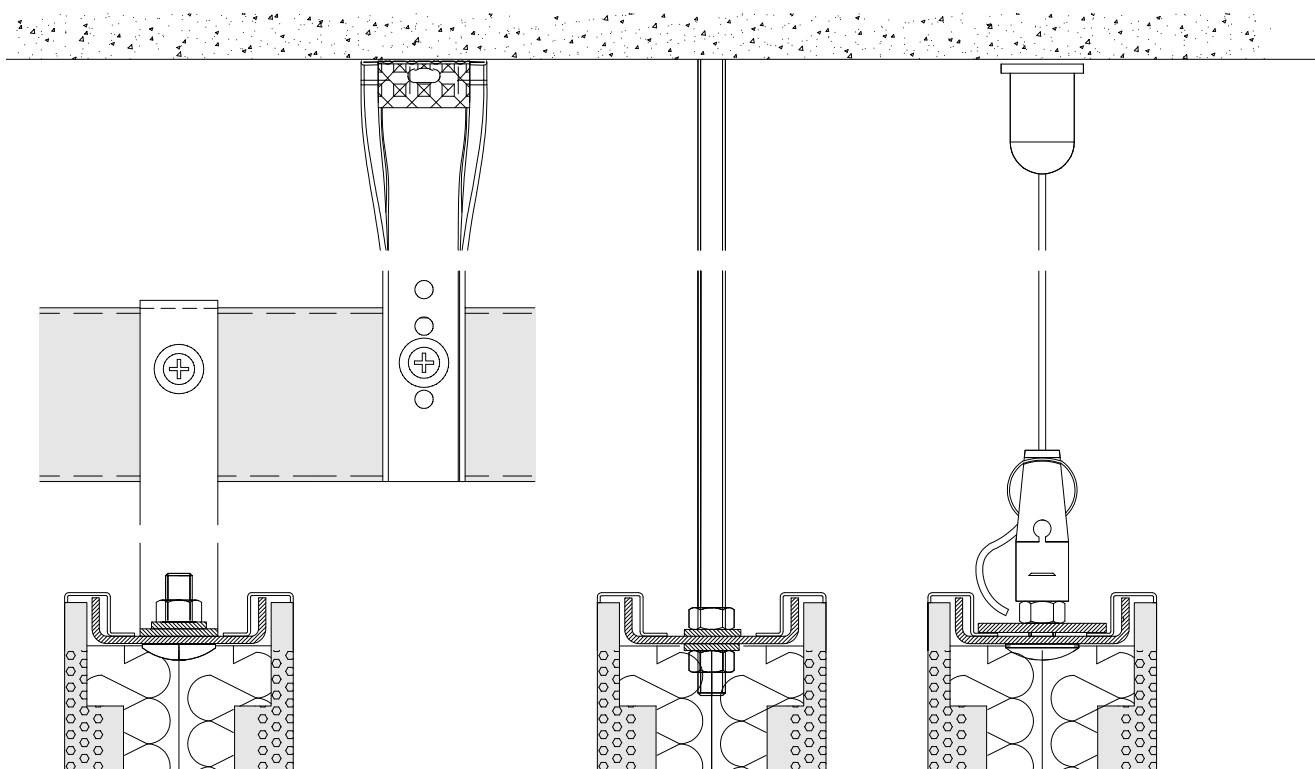
- Continuous
- 1 Threaded Rod
- 2 Carrier Rail
- 3 Clamping Plate
- 4 Carriage Bolt
- 5 Channel Splice
- 6 Baffle Module (Various Sizes)
- 7 End Cap



## Grid Hanging

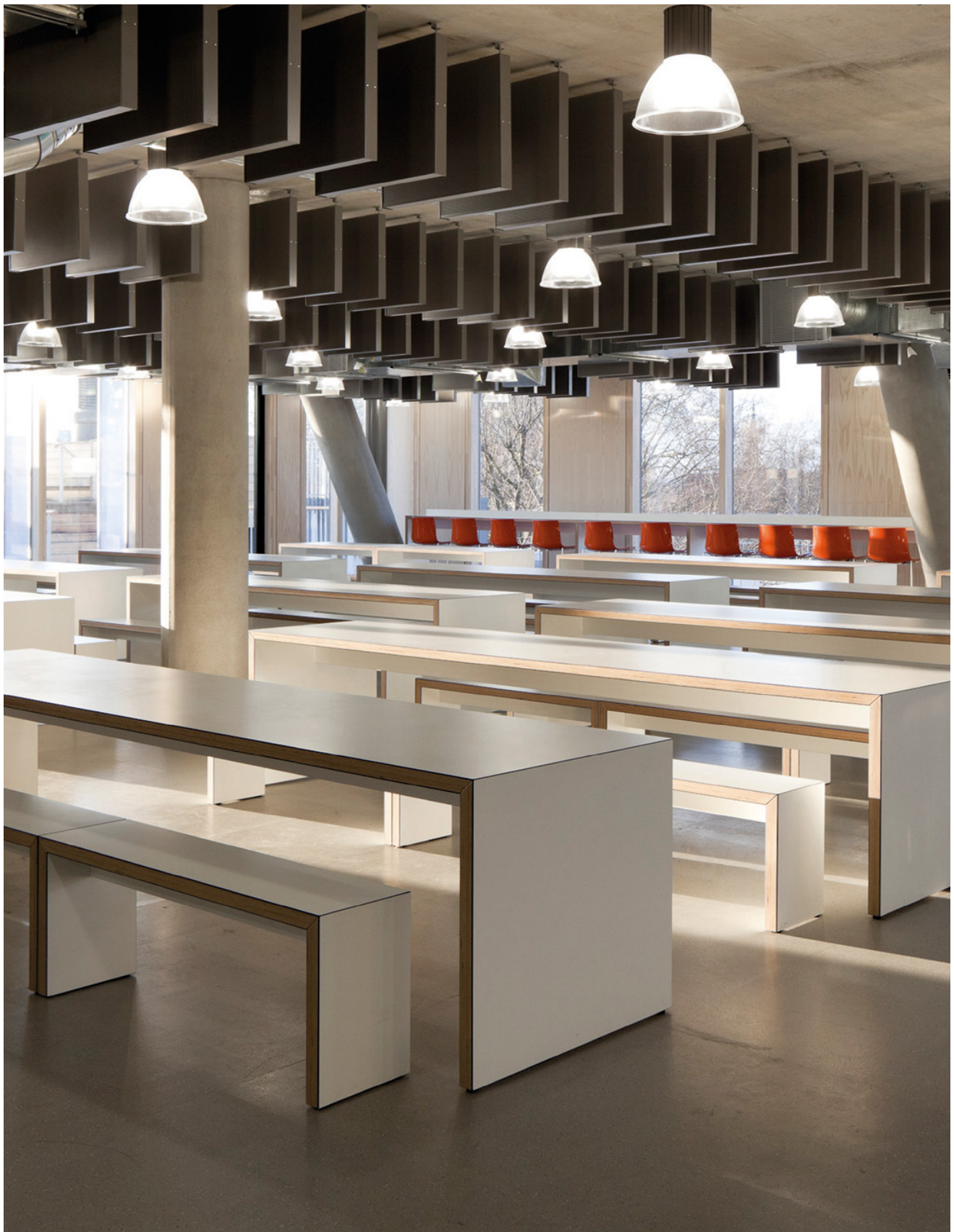
## Threaded Rod Hanger

## Cable Hanging



All dimensions are in mm.





SAS500





## City of Westminster College

Paddington Green Campus

Location  
London, UK  
Architect  
Schmidt Hammer  
Lassen

Contractor  
McLaren  
Construction  
Purpose  
Education

**Euro**phon Acoustics

**Suite No: 238, Al Shafar Investment Building,  
Sheikh Zayed Road, Al Quoz, P.O. Box: 212688,  
Dubai, UAE**

**+971 4 268 4667**

**info@europhonacoustics.com  
www.europhonacoustics.com**