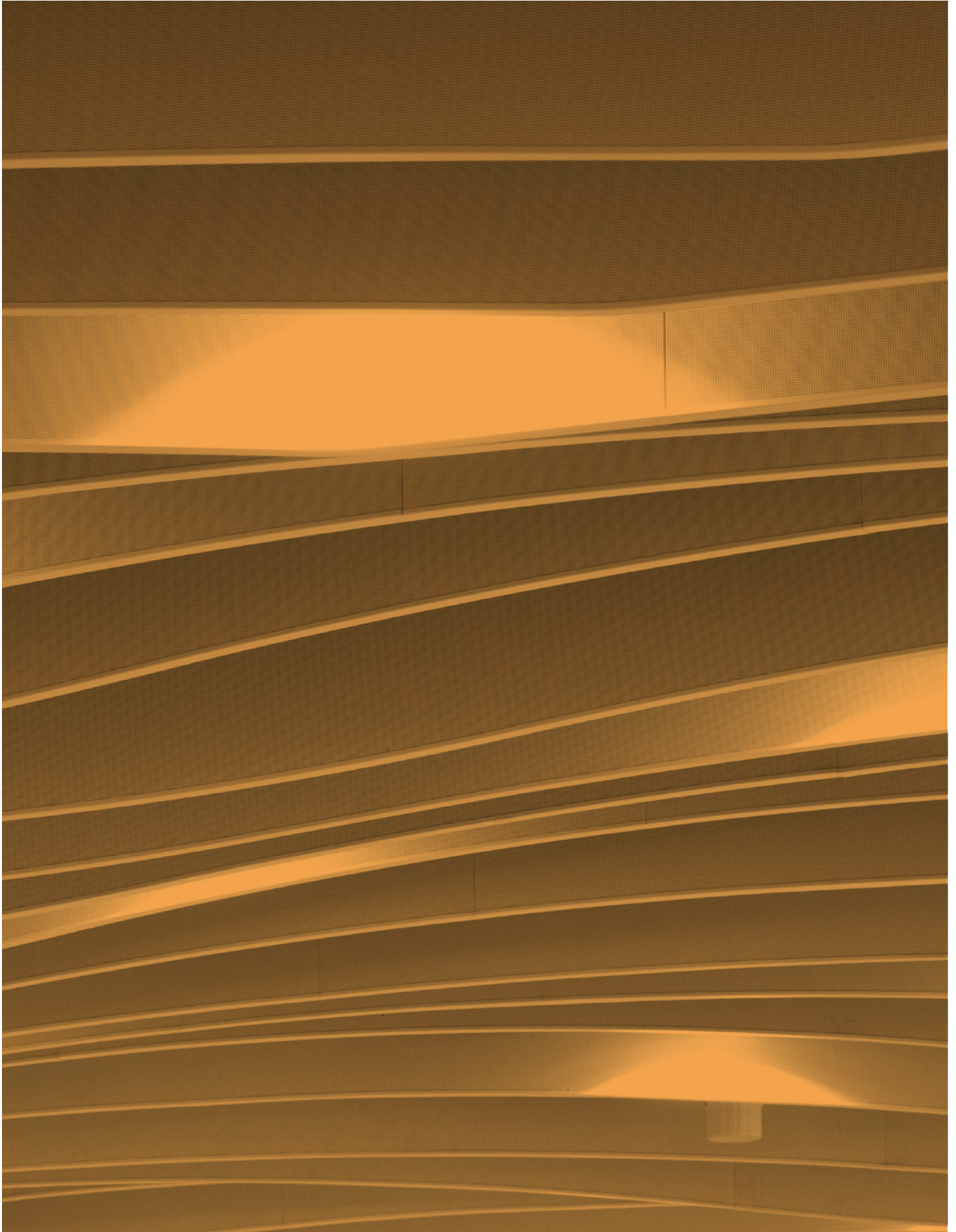
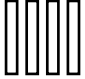




SAS **510** 



# Overview

SYSTEM GROUP		SUSPENSION METHOD	
		None – suspended from carrier rail, threaded rod or cable hangers	
Baffle			
TILE			
			
Enclosed baffle		Square edge	
ACOUSTICS			
<b>A-C</b>		None. Baffles are open systems	
Absorption class		Insulation	
ACCESS	SYSTEM WEIGHT	LIFE EXPECTANCY	
Baffles are open systems	<b>9.3kg/lm</b> + Grid	<b>25yr</b>	
Based on standard 1000x400x50mm baffle		In excess of	

# SAS510



SAS510 acoustic waveform baffles offer a visually engaging alternative to suspended acoustic ceiling systems, ideal for exposed soffit areas. Baffles offer exceptional absorption characteristics, effectively controlling reverberation within these highly sound reflective interiors. The radii of the baffles can form individual elements or continual rhythmic lines stretching across a ceiling plane.

## Baffle Sizes

Standard baffle lengths are 1200mm, 1500mm, 1800mm and 3000mm\*. Baffle depths are between 150mm (min.) and 1000mm (max.) Standard baffle widths are 52.5mm.

\* Continuous runs are suspended with a carrier rail and manufactured in 3000mm lengths for speed of installation and minimal seams.

Bespoke baffle sizes and shapes are available on request.

## Baffle Shapes

There is no standard shape for SAS510, although waveforms are predominant. For waveform patterns, we would not recommend radii less than 1000mm.

SAS510 can also be formed into other, bespoke shapes. Please contact our technical design team for more information.

## Finishes

SAS510 is available in all standard SAS finishes, please refer to page 105. Bespoke finishes are available on request.

## Perforations

SAS510 can be manufactured with any standard SAS perforation. For our full range of perforations, please refer to page 83. Bespoke perforations are also an option.

## Acoustic Materials

50mm deep, 45Kg density mineral wool pad with black tissue face, foil back and sides. Other acoustic materials are available, please refer to page 20.

## Service Integration

SAS510 baffles can be manufactured with integrated LED lighting.

## Technical Support

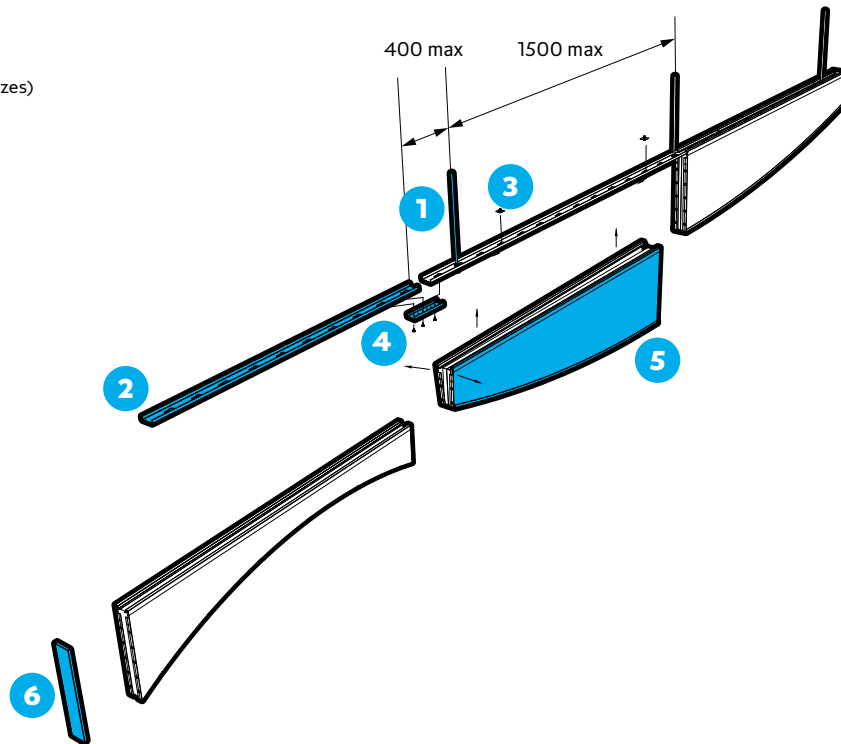
Please contact our technical team for all questions relating to bespoke features, sizes or service integration.

# SAS510



## Perspective Drawing

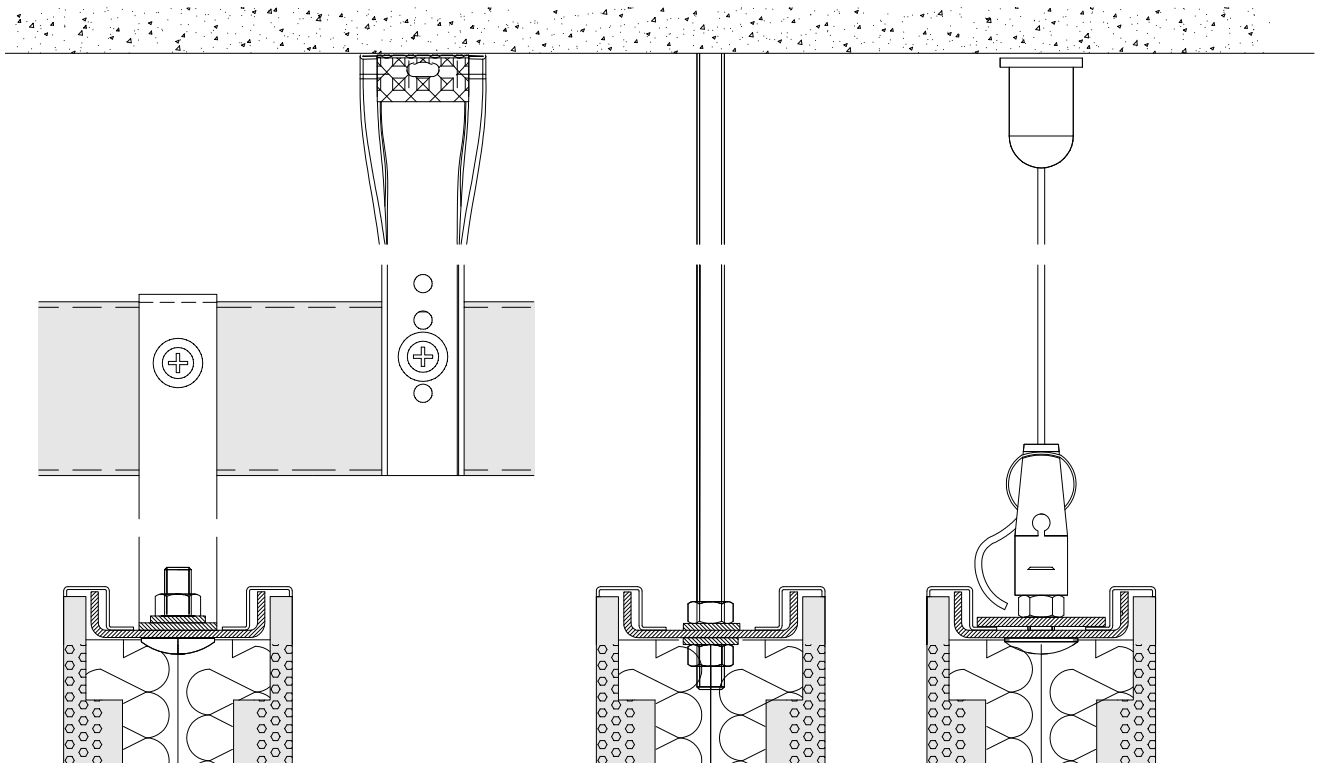
- 1 Threaded Rod
- 2 Carrier Profile
- 3 Clamping Plate
- 4 Splice Channel
- 5 Baffle Module (Various Sizes)
- 6 End Plate



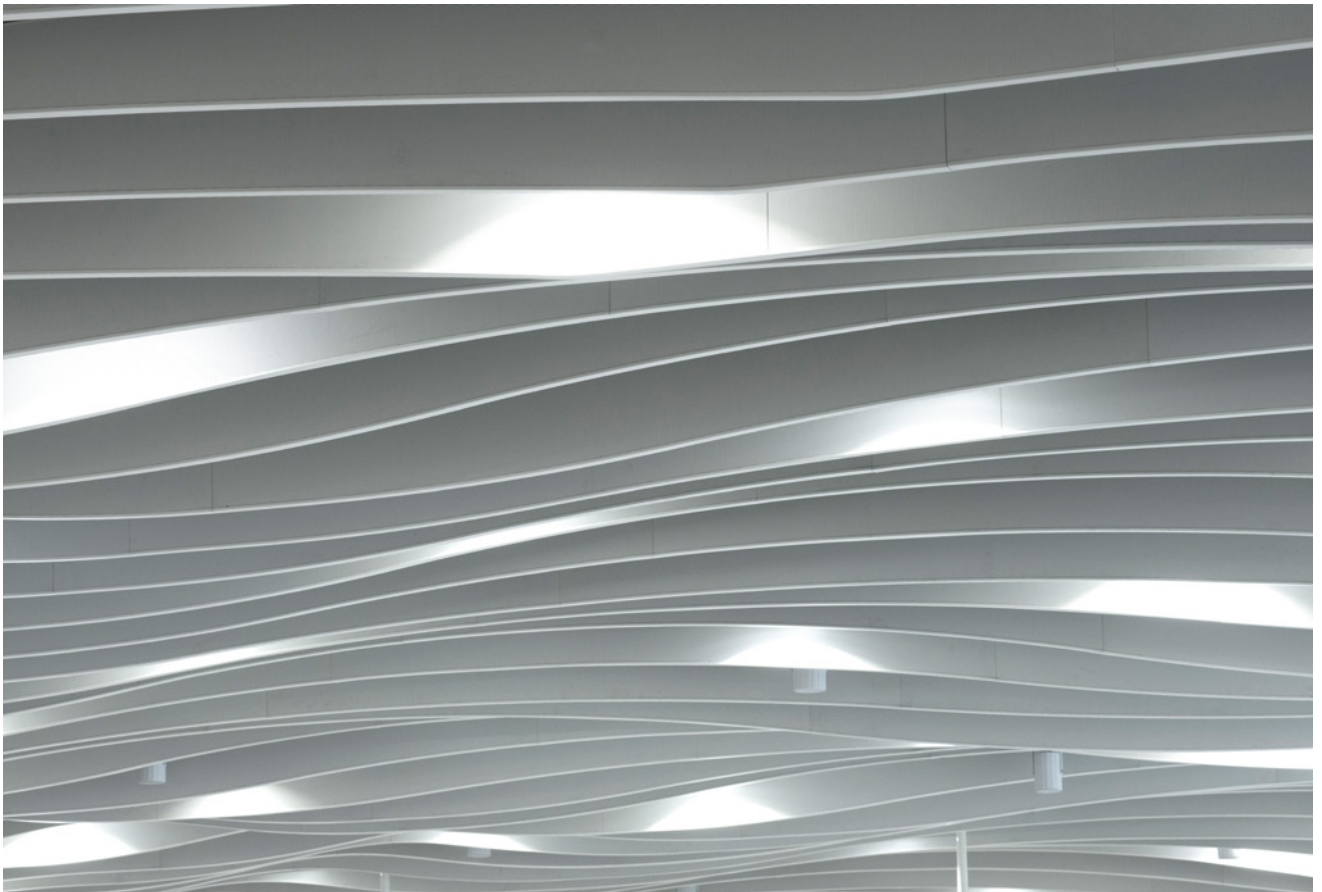
## Grid Hanging

## Threaded Rod Hanger

## Cable Hanging



All dimensions are in mm.



SAS**510**

Birmingham New Street Station

Location  
**Birmingham, UK**  
Architect  
**Atkins**

Contractor  
**Mace Ltd**  
Purpose  
**Transport**

**Euro**phon<sub>Acoustics</sub>

Suite No: 238, Al Shafar Investment Building,  
Sheikh Zayed Road, Al Quoz, P.O. Box: 212688,  
Dubai, UAE

+971 4 268 4667

[info@europhonacoustics.com](mailto:info@europhonacoustics.com)  
[www.europhonacoustics.com](http://www.europhonacoustics.com)